

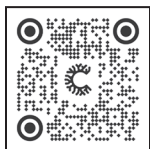


Designer Aquarium Stand Assembly Instructions

Size 14/16

15.5" Wide x 15.75" Deep x 29" High
Item # 100531923

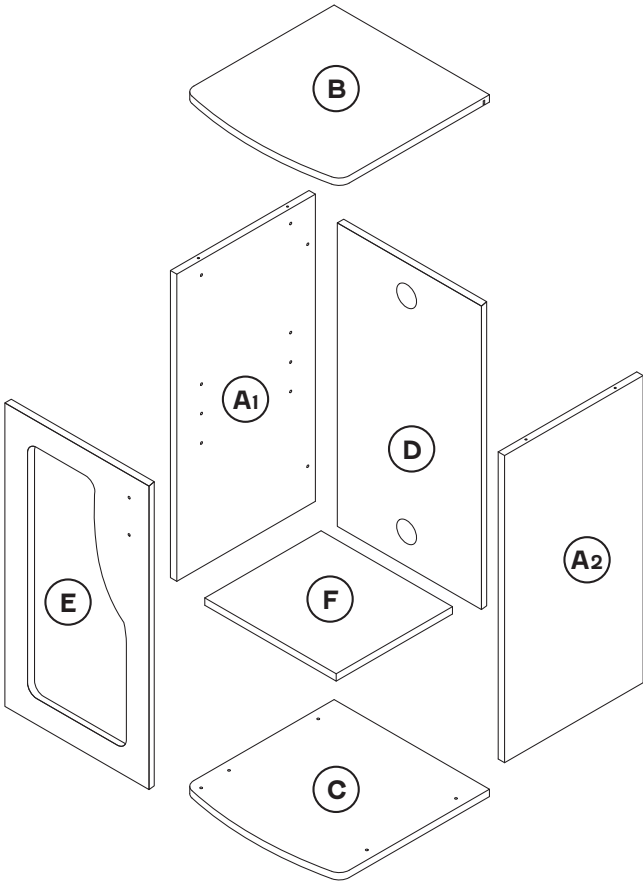
***Easy to
assemble!***



For questions or inquiries about
this product, please visit us online at
coralife.com or call **888-255-4527**

Coralife and BioCube are registered trademarks
of Central Garden & Pet Company
©2023 Central Garden & Pet Company
coralife.com Nov2023 Made in China

Parts Diagram



Tools Required for Assembly

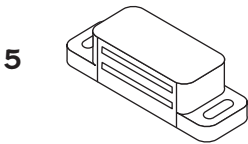
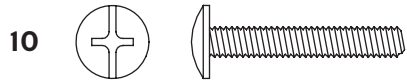
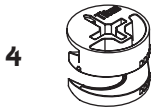
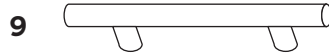
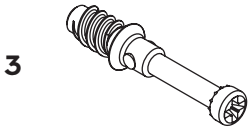
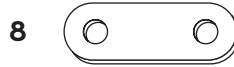
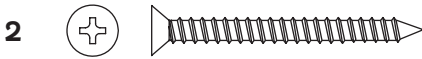
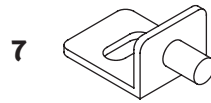
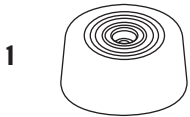
Phillips screwdriver, hammer and level.

Parts Identification

While not all parts are labeled, some of the parts will have a label or an inked letter on the edge to help distinguish similar parts from each other. Use this PARTS IDENTIFICATION to help identify similar parts.

Part	Item Description	Qty.
A1	LEFT END	1
A2	RIGHT END	1
B	TOP	1
C	BOTTOM	1
D	BACK	1
E	DOOR	1
F	ADJUSTABLE SHELF	1

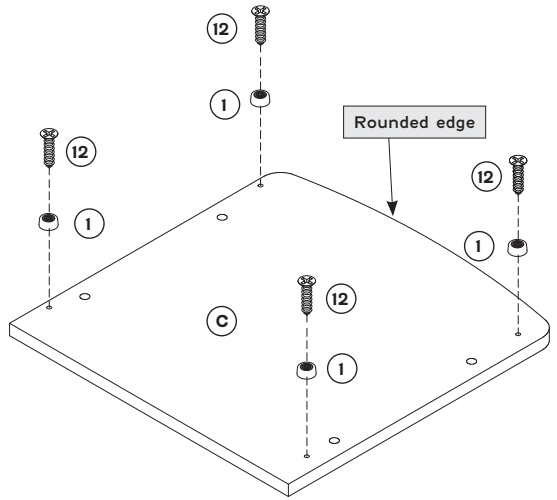
Part #	Item Description	Qty.
1	FOOT	4
2	GOLD 2-1/4" FLATHEAD SCREW	4
3	GOLD CAM SCREW	8
4	SILVER HIDDEN CAM	8
5	MAGNETIC CATCH	1
6	SILVER 1/2" FLATHEAD SCREW	6
7	PIVOT HINGE	2
8	STRIKE PLATE	1
9	HANDLE	1
10	GOLD 1" MACHINE SCREW	2
11	METAL PIN	4
12	GOLD 1" FLATHEAD SCREW	4



ASSEMBLY

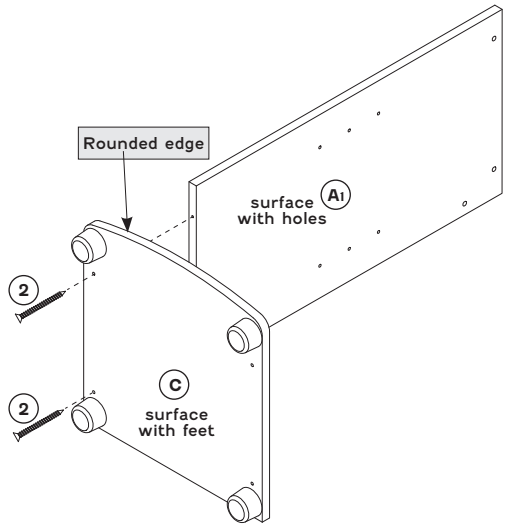
STEP 1

1. Assemble the unit on a carpeted floor or on the empty carton to avoid scratching the unit or the floor.
2. Using a cross head screwdriver, screw the 4 screws (12) through the FEET (1) into the holes in the BOTTOM (C).



STEP 2

1. Attach the BOTTOM (C) to the LEFT END (A1). Use two GOLD 2-1/4" FLATHEAD SCREWS (2).



STEP 3

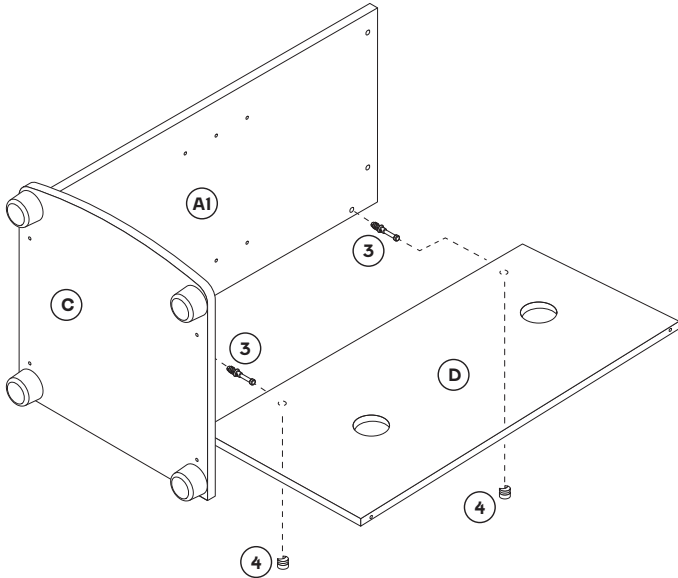
1. Turn two GOLD CAM SCREWS (3) into the LEFT END (A1).

2. Push two SILVER HIDDEN CAMS (4) into the BACK (D).

NOTE: The side with the SILVER HIDDEN CAMS (4) should be facing out so they are visible on the back of the stand.

3. Attach BACK (D) to the LEFT END (A1).

4. Tighten the SILVER HIDDEN CAMS (4).



STEP 4

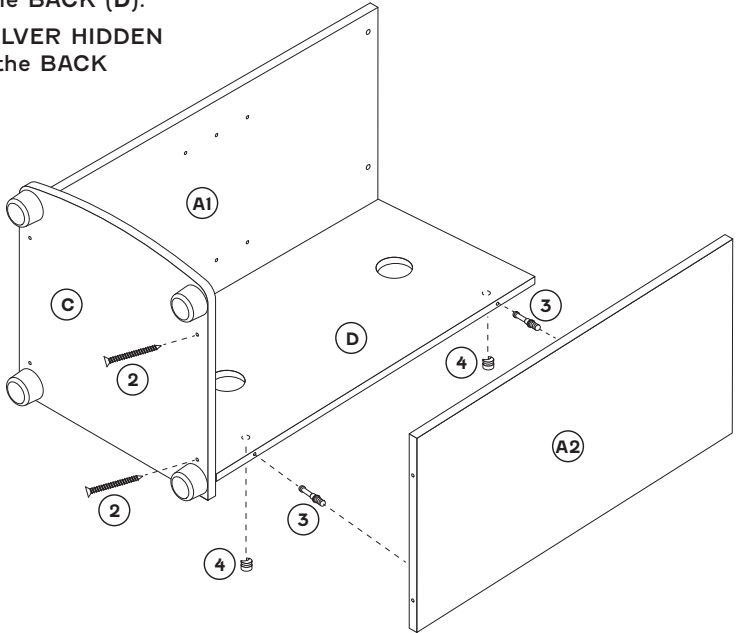
1. Turn two **GOLD CAM SCREWS (3)** into the **RIGHT END (A2)**.
2. Push two **SILVER HIDDEN CAMS (4)** into the **BACK (D)**.

NOTE: The side with the **SILVER HIDDEN CAMS (4)** should be facing out so they are visible on the back of the stand.

3. Attach the **BOTTOM (C)** to the **RIGHT END (A2)**. Use two **GOLD 2-1/4" FLATHEAD SCREWS (2)**.

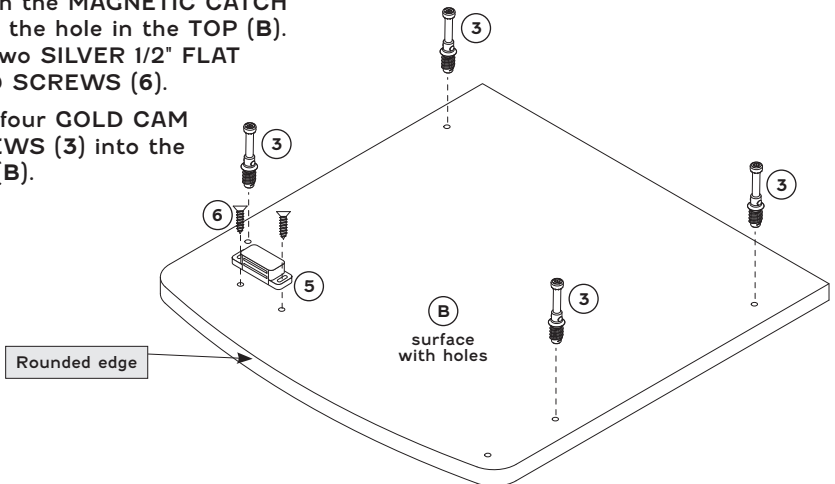
NOTE: Make sure to attach **GOLD CAM SCREWS (3)** from the **RIGHT END (A2)** panel into the **BACK (D)**.

4. Tighten the **SILVER HIDDEN CAMS (4)** on the **BACK (D)** panel.



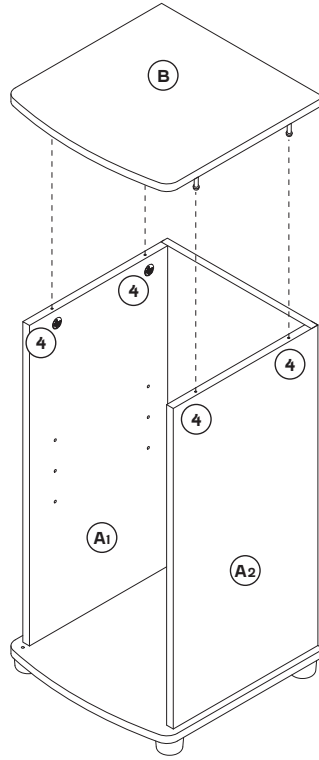
STEP 5

1. Attach the **MAGNETIC CATCH (5)** to the hole in the **TOP (B)**. Use two **SILVER 1/2" FLAT HEAD SCREWS (6)**.
2. Turn four **GOLD CAM SCREWS (3)** into the **TOP (B)**.



STEP 6

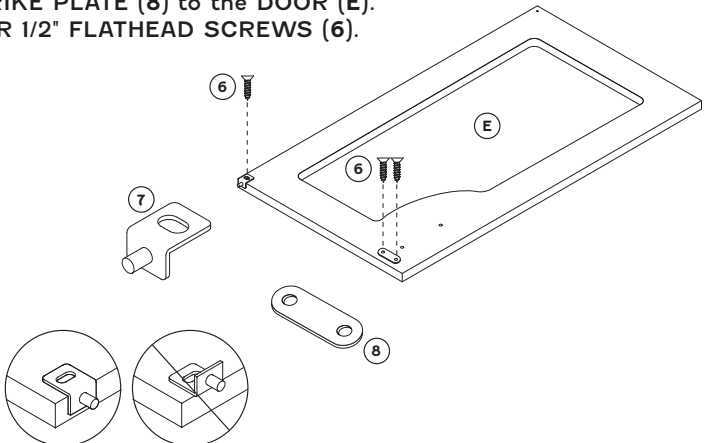
1. Push two SILVER HIDDEN CAMS (4) into the LEFT END (A1) and RIGHT END (A2).
2. Attach the TOP (B) to the ENDS (A1, A2). Tighten the four SILVER HIDDEN CAMS (4).



STEP 7

IMPORTANT: Only attach one PIVOT HINGE (7) to the DOOR (E) in this step.

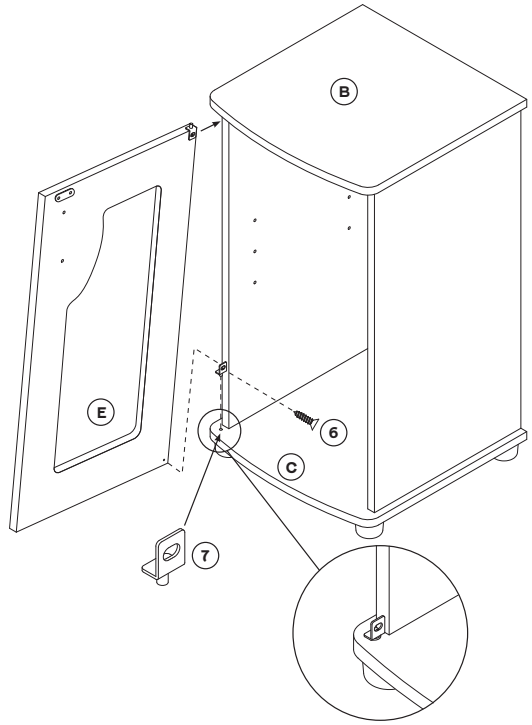
1. Attach one of the PIVOT HINGES (7) to the DOOR (E). Use a SILVER 1/2" FLATHEAD SCREW (6). Completely tighten this screw.
2. Attach the STRIKE PLATE (8) to the DOOR (E). Use two SILVER 1/2" FLATHEAD SCREWS (6).



STEP 8

1. Insert the remaining **PIVOT HINGE (7)** into the **BOTTOM (C)**.
2. Insert the top **PIVOT HINGE (7)**, which is attached to the **DOOR (E)**, all the way into the hole in the **TOP (B)**. You will need to tilt the door slightly.
3. Now, tip the door in and attach the bottom **PIVOT HINGE (7)** to the **DOOR (E)**. Use a **SILVER 1/2" FLATHEAD SCREW (6)**.

NOTE: To make adjustments to the door, loosen the screw in the hinge, make needed adjustments and tighten the screw.



STEP 9

1. Attach the **HANDLE (9)** to the **DOOR (E)**. Use two **GOLD 1" MACHINE SCREWS (10)**.
2. Insert **METAL PINS (11)** into the hole locations of your choice in the **ENDS (A1, A2)**. Set the **ADJUSTABLE SHELF (F)** onto the **METAL PINS (11)**.
3. In a suitable location, place the unit on a flat surface. Level the unit by placing a leveling tool on the top and take readings from front to back and side to side.
4. This completes assembly. Clean with your favorite furniture polish or a damp cloth. Wipe dry.

